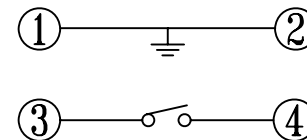
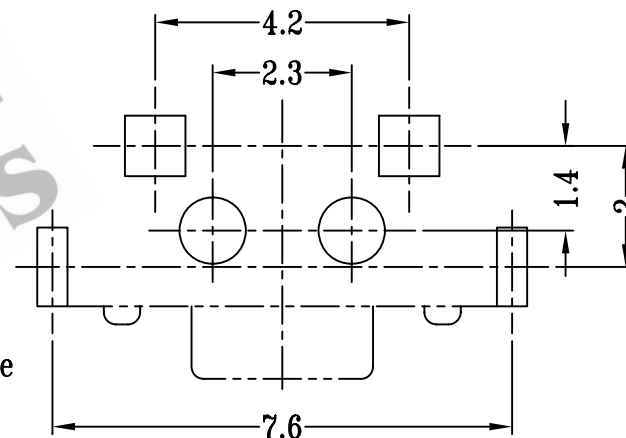
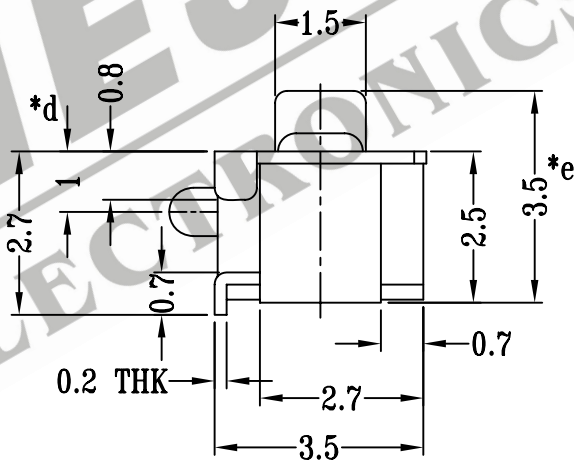
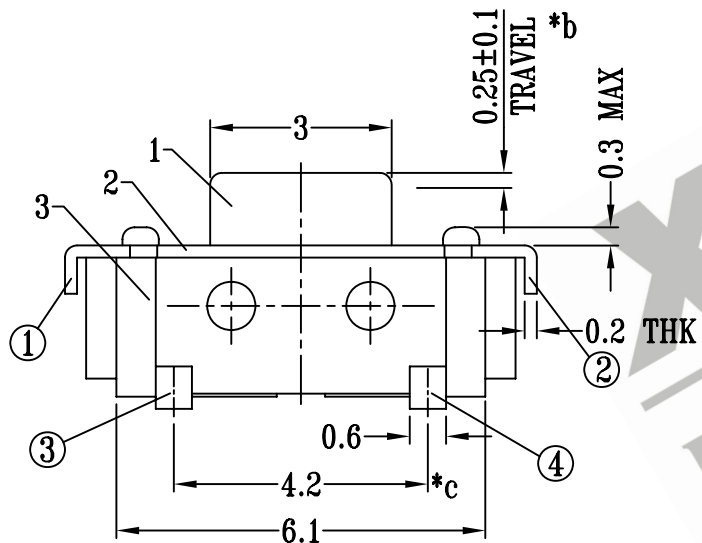
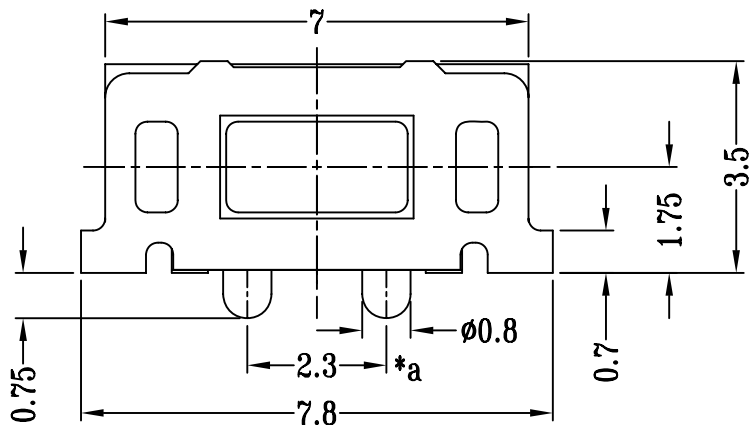


CAD FILE:



SCHEMATIC

P.C.B LAYOUT

注:带"*"表示关键尺寸(5个)

8					TOLERANCE	SHENZHEN XIEJIA ELECTRONICS CO.,LTD.			
7					UNLESS SPECIFIED				
6					WITHIN: 1.5±0.1mm				
5					OVER: 1.5±0.2mm	ISSUE	DATE	DESCRIPTIONS OF REVISION	APPD.
4	CONTACT	SUS	1	Ag CLAD	TITLE : TACT SWITCH			UNIT : mm	DRWG NO.: XJ-DR-TD15EA-00
3	CASE	PA46/BRASS STRIP	1	WHITE,BLACK/Ag PLATED OVER Ni PLATED	MODEL: TD-15EA			SCALE: 8:1	DWN. ZHOUYU 2003-12-20
2	COVER	ZINC PLATE	1	Ag PLATED OVER Ni PLATED	ALL MATERIALS MUST BE COMPLIANT TO ROHS			CHK'D	FANGYING 2003-12-20
1	KNOB	NYLON+F.G	1	BLACK				APPD.	KANGXINAN
NO.	PARTS	MATERIALS	Q'TY	FINISH					